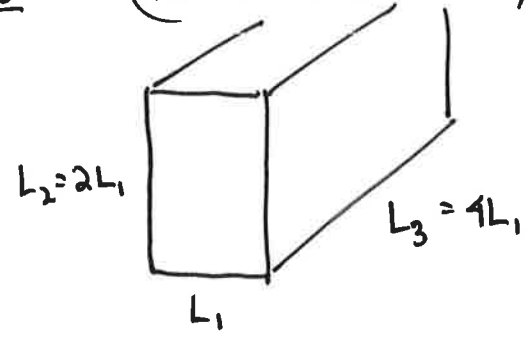


7-5

(Ptcl in 3-D box w/ degeneracy)



$$E_{n_1, n_2, n_3} = E_0 \left(n_1^2 + \frac{n_2^2}{4} + \frac{n_3^2}{16} \right)$$

n_1	n_2	n_3	E/E_0	
1	1	1	1.31	
1	1	2	1.50	
1	1	3	1.8125	
1	2	1	2.0625	
1	1	4	2.25	} degenerate
1	2	2	2.25	
1	2	3	2.5625	
1	1	5	2.8125	
1	2	4	3.0	
1	3	1	3.3125	
1	1	6	3.50	} degenerate
1	3	2	3.50	